

WORLD LEADER

HERMETIC CONNECTORS HERMETIC PACKAGING



UHV VACUUM
PRODUCTS

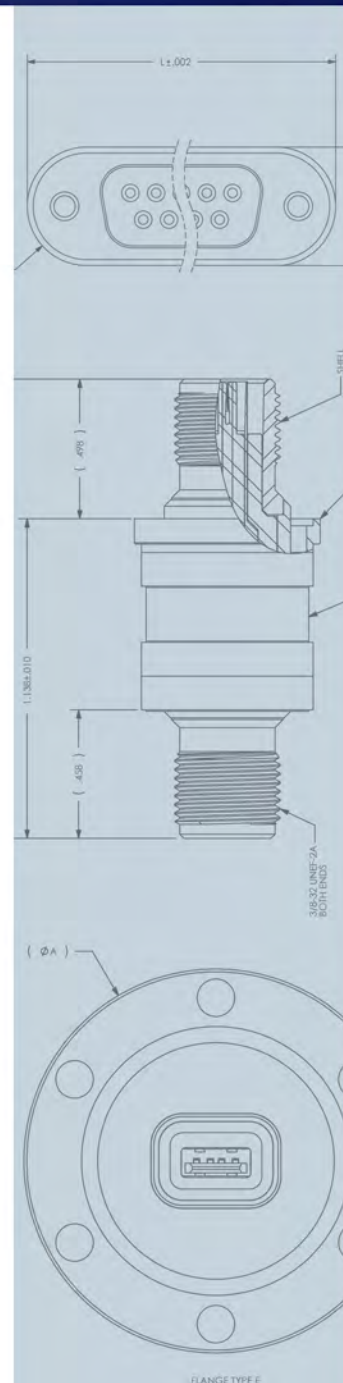
UHV VACUUM PRODUCTS

SRI Hermetics' carries the most extensive line of multipin feedthroughs for the vacuum industry. All of SRI Hermetics' feedthroughs and connectors are designed to be laser welded into flanges or fittings. We offer configurations in stainless steel and aluminum, but titanium flanges can also be manufactured. The listing on the next page is our standard offerings, yet being a custom connector manufacturer we can make any form factor you may require in virtually any material. The flange mounted connectors and feedthroughs are offered on standard vacuum flanges, and custom configurations or multiple connectors on a single flange are also available.

The multipin connectors utilize SRI Hermetics' exclusive Ceramax[®] dielectric compound in conjunction with BeCu contacts to create a best-in-class hermetic seal. Ceramax[®] is impervious to crack propagation which is the #1 failure mode of conventional glass seals and lesser ceramics.

When you are ready to start your hermetic project, our staff works with you to design products to meet those needs.

 **SRI HERMETICS**
www.SRIHermetics.com



GENERAL DESIGN SPECIFICATIONS

- All connectors are made with vacuum compatible materials.
- Leak Rate is less than 1×10^{-9} cc/sec He at one atmosphere differential pressure.

(see sales drawings for specific configurations)



SRISD 5001



SRIVF 301/503



SRIVF 501



SRIVF 101



SRIVF 102



SRISD 203

Sales Drawing	Laser Weldable
SRISD5001	Sub-D Interface, Stainless Steel, Male/Male
SRISD5008	Sub-D Interface, Aluminum, Male/Male
SRISD5002	Sub-D Interface, Stainless Steel, Male/Female
SRISD5007	Sub-D Interface, Aluminum, Male/Female
SRISC501	9 Pin Sub-C, Stainless Steel, Male/Male
SRISC503	23 Pin Sub-C, Stainless Steel, Male/Male
SRISD5003	Sub-D Power, Stainless Steel, Male/Male
SRISD5005	Sub-D Power, Aluminum, Male/Male
SRIMD5001	Micro-D Interface, Stainless Steel, Male/Female
SRIFT510	Double-Ended SMA, Stainless Steel, Grounded
SRIFT509	Double-Ended SMA, Stainless Steel, Floating Shield
SRIFT516	Double-Ended Triax, Stainless Steel, Grounded
SRIFT515	Double-Ended Triax, Stainless Steel, Floating Shield
SRIUSB101	Double-Ended USB 2.0, Stainless Steel
Sales Drawing	Standard Vacuum Flange Mounted
SRIVF401	Sub-D, Male/Male
SRIVF402	Sub-D, Male/Female
SRIVF301	Sub-C, 9 & 23 pin, Male/Male
SRIVF501	Sub-D Power, Male/Male
SRIVF201	Micro-D, Male/Female
SRIVF102	Double-Ended SMA
SRIVF102	Double-Ended USB 2.0
Sales Drawing	Accessories
SRISD203	Sub-D Vacuum Cable
SRISC205	Sub-C Vacuum Cable
SRISC206	Sub-C Atmosphere Cable
SRISD204	Sub-D Power Vacuum Cable
SRIMD204	Micro-D Vacuum Cable
SRIMD202	Micro-D Atmosphere Cable
SRIC102	Micro-D Contacts, 25/pack (loose)
SRIUSB201	USB Vacuum Cable



3950 Dow Road Melbourne, FL 32934-9289

www.SRIHermetics.com • Tel 321.254.4067 • Fax 321.752.9221